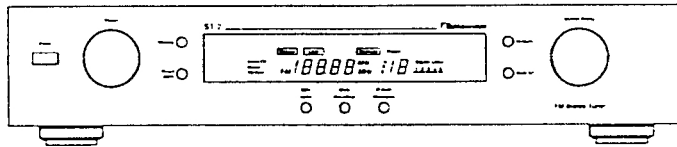


Nakamichi

Service Manual

ST-2

FM Stereo Tuner



CONTENTS

1. General	1
2. Mechanism Ass'y and Parts List	3
2.1. Synthesis	3
2.2. Front Panel Ass'y (A01)	4

1. GENERAL

Reference Service Manual

The base Model of ST-2 is Tuner 2. In this Service Manual, identical sections/items are omitted. So, please refer to the Service Manual of Tuner 2 (0Q06155A).

1.1. Product Code

C108

1.2. Destinations


EP, UK, AUS, SAU, OTR, JPN

Abbreviation

EP — Europe	SAU — Saudi Arabia
UK — United Kingdom	OTR — Other
AUS — Australia	JPN — Japan

1.3. Cautions/Warnings

(1) Product Safety Notice

Parts marked with the symbol  in the schematic diagram have critical characteristics.

Use ONLY replacement parts recommended by the manufacturer. It is recommended that the unit be operated from a suitable DC supply or batteries during initial check-out procedures.

(2) Leakage Current Check/Resistance Check

Before returning the unit to the customer, make sure you make either (1) a leakage current check or (2) a line to chassis resistance check. If the leakage current exceeds 0.5 milliamp, or if the resistance from chassis to either side of the power cord is less than 240 k ohms, the unit is defective.

WARNING — DO NOT return the unit to the customer until the problem is located and corrected.

(3) Lithium Battery Caution

Use ONLY replacement parts recommended by the manufacturer. Replacement must be done only by qualified service personnel because of risk for explosion.

VARNING

Litiumbatteri. Explosionsfara vid felaktig hantering. Byte får endast ske av sakkunnig personal enligt servicedokumentationens anvisningar.

ADVARSEL!

Lithiumbatterier. Eksplosionsfare. Udskiftning må kun foretages af en sagkyndig og som beskrevet i servicemanualen.

batterierne kun må udskiftes med batterier af samme fabrikat og type.

1.4. Voltage Selector

Voltage Selector is installed on the Rear Panel of the ST-2 (SAU and OTR). The voltage selector can select either 110V-120V or 220V-240V at customer's disposal.

1.5. Package Ass'y

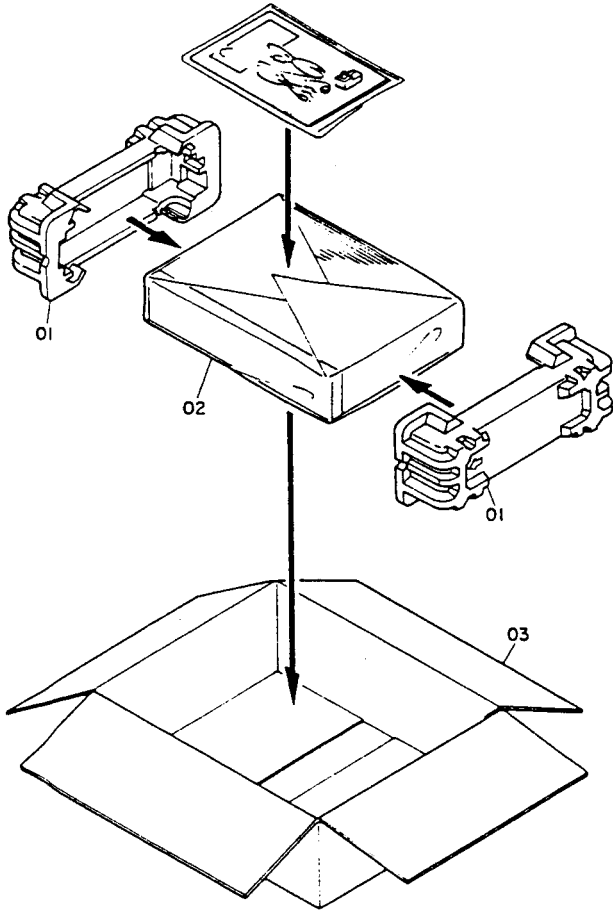


Fig. 1.1

Schematic Ref. No.	Part No.	Description	Qty
—	—	Package Ass'y	
01	0F04707B	Packing	2
02	0F04458A	Soft Sheet	1
03	0F04753A	Carton Box	1

1.6. Accessory Ass'y

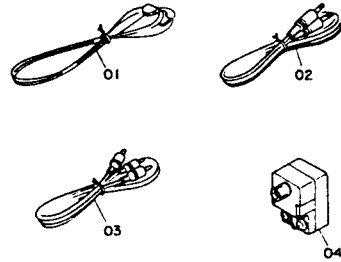


Fig. 1.2

Schematic Ref. No.	Part No.	Description	Qty
—	DA04738A	Accessory Ass'y (EP)	1
—	DA04735A	Accessory Ass'y (UK)	1
—	DA04740A	Accessory Ass'y (AUS, OTR)	1
—	DA04739A	Accessory Ass'y (SAU)	1
—	DA04736A	Accessory Ass'y (JPN)	1
01	0B90081A	Feeder Antenna	1
02	0D06136A	Mini Plug Cord	1
03	DA04521A	Pin Plug Cord	1
04	0B90208A	Antenna Adapter EP FA-322 (EP, UK)	1
—	0B90194A	Antenna Adapter F YAE21-0120 (AUS, SAU, OTR, JPN)	1
—	0D06461A	Owner's Manual (English)	1
—	0D06464A	Owner's Manual (French)	1
—	0D06463A	Owner's Manual (German)	1
—	0D06462A	Owner's Manual (Japanese)	1

2. MECHANISM ASS'Y AND PARTS LIST

2.1. Synthesis

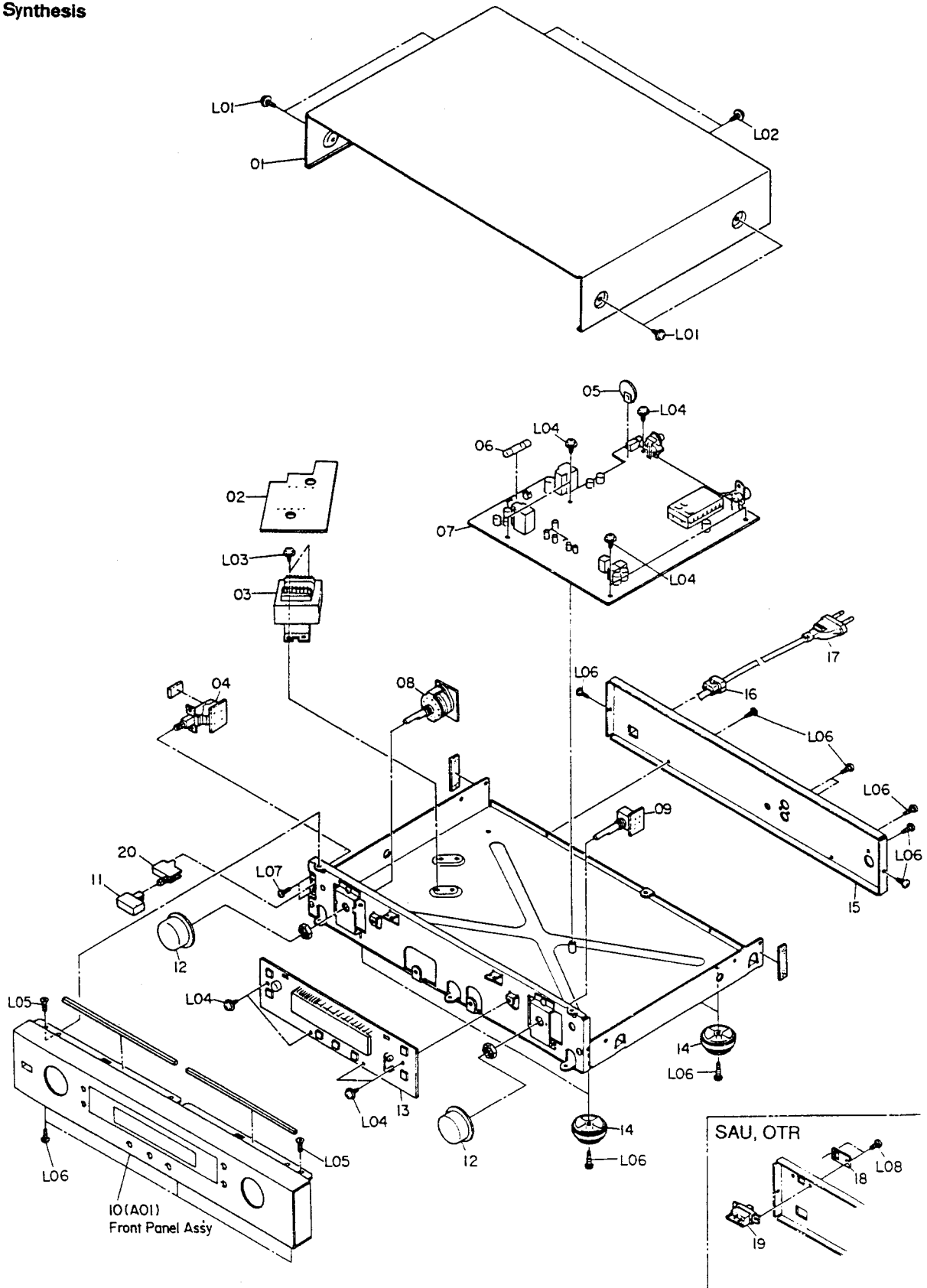


Fig. 2.1

2.2. Front Panel Ass'y (A01)

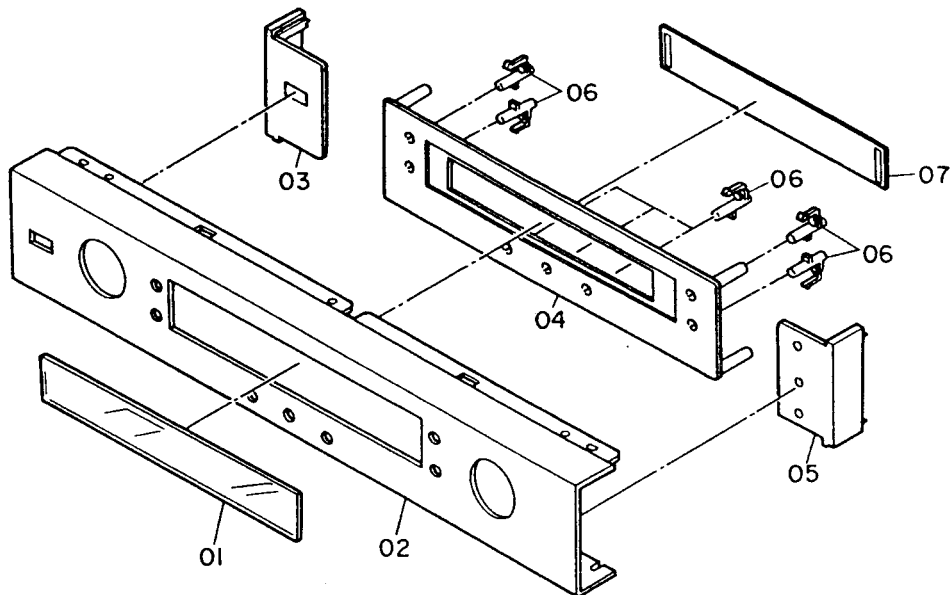


Fig. 2.2

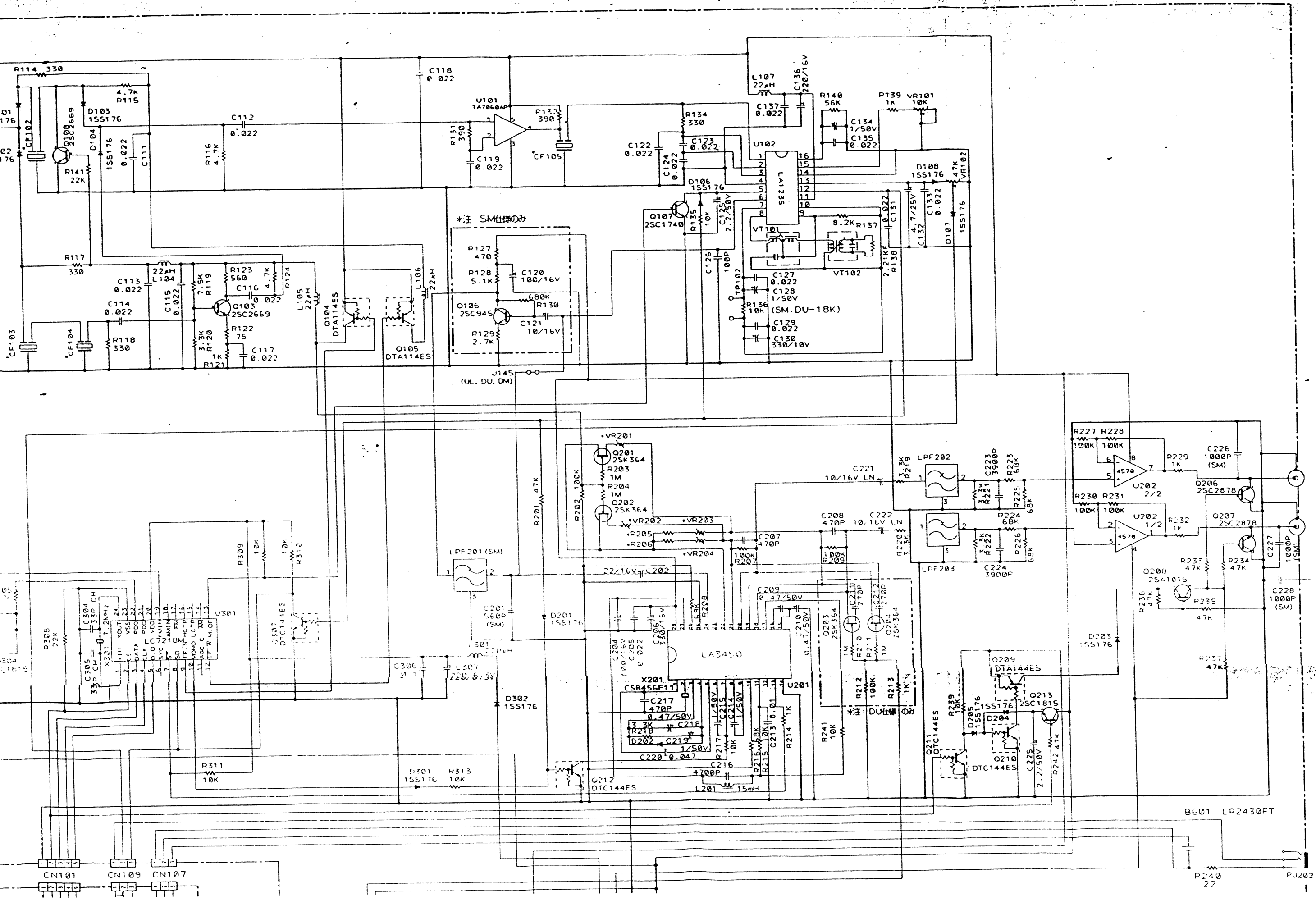
2.1. Synthesis

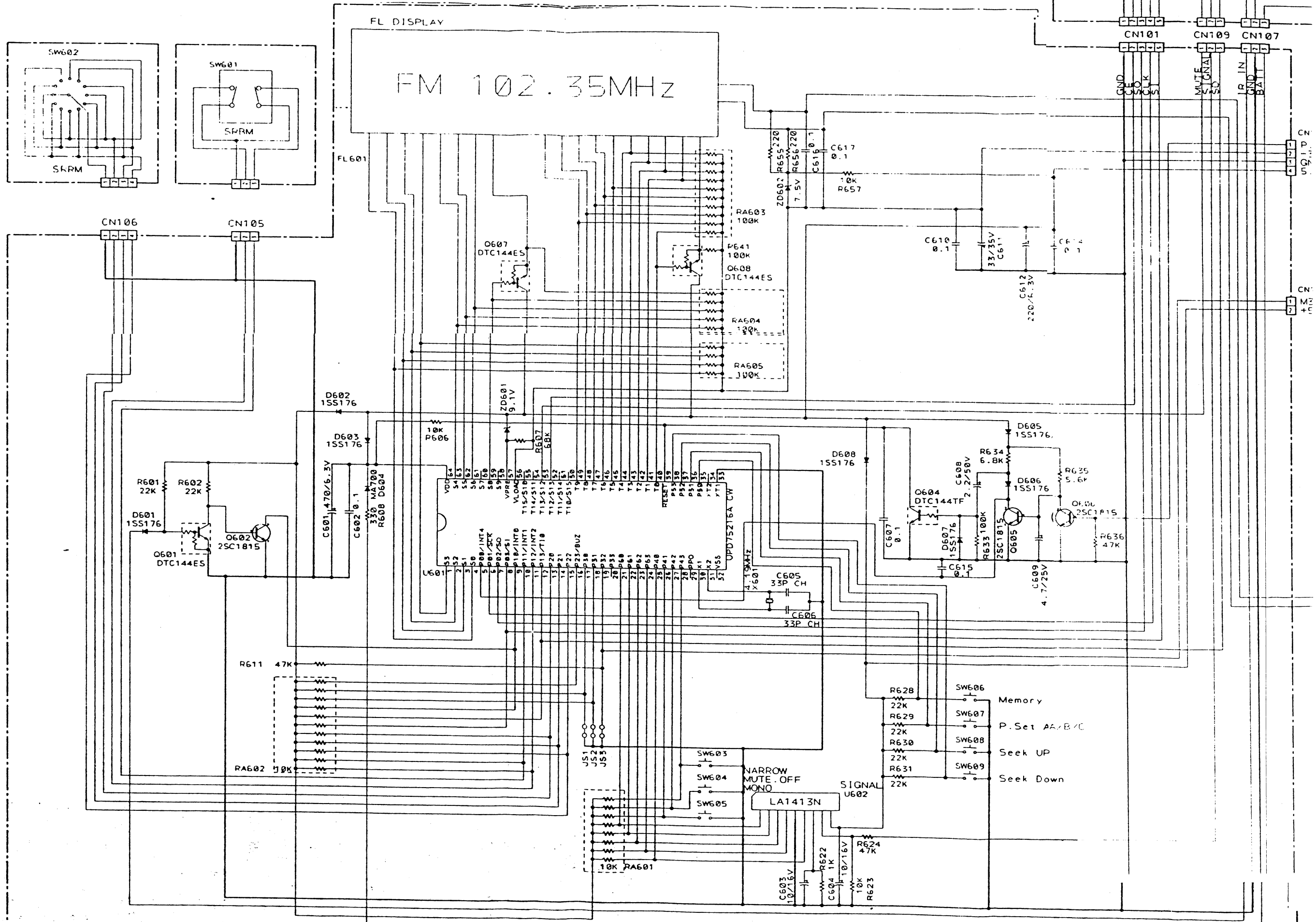
Schematic Ref. No.	Part No.	Description	Q'ty
Synthesis			
01	0H06168A	Top Cover	1
02	BA08497A	Transformer P.C.B. Ass'y (EP, UK, AUS)	1
	BA08412A	Transformer P.C.B. Ass'y (SAU, OTR)	1
	BA08576A	Transformer P.C.B. Ass'y (JPN)	1
03	0B50214A	Power Transformer 230V (EP, UK, AUS)	1
	0B50217A	Power Transformer 120-230V (SAU, OTR)	1
	0B50215A	Power Transformer 100V (JPN)	1
04	BA08413A	Power Switch P.C.B. Ass'y	1
05	0B90200B	Lithium Battery [B601]	1
06	0B08344A	Fuse T200mA 250V [F401] (EP, UK, AUS)	1
	0B90599A	Fuse T250mA 250V [F401] (SAU, OTR, JPN)	1
07	BA08420A	Main P.C.B. Ass'y (EP, UK)	1
	BA08714A	Main P.C.B. Ass'y (AUS, SAU)	1
	BA08422A	Main P.C.B. Ass'y (OTR)	1
	BA08421A	Main P.C.B. Ass'y (JPN)	1
08	BA08414A	Rotary Switch P.C.B. Ass'y	1
09	BA08415A	Pulse Switch P.C.B. Ass'y	1
10	HA06672A	Front Panel Ass'y	1
11	0H06418A	Power Knob	1
12	HA06673A	Tuning Knob Ass'y	2
13	BA08416A	Display P.C.B. Ass'y (EP, UK, AUS, SAU)	1
	BA08419A	Display P.C.B. Ass'y (OTR)	1
	BA08417A	Display P.C.B. Ass'y (JPN)	1
14	0H06477A	Leg	4
15	0H06653A	Rear Panel (EP, UK, AUS, JPN)	1
	0H06655A	Rear Panel (SAU)	1
	0H06654A	Rear Panel (OTR)	1
16	0B90280A	Cord Bushing (EP, UK, AUS, SAU)	1

Schematic Ref. No.	Part No.	Description	Q'ty
17	0B90283A	Cord Bushing (OTR, JPN)	1
	0B08093U	AC Power Cord (EP)	1
	0B08348A	AC Power Cord (UK)	1
	0B05241A	Power Cord (AUS)	1
	0B80336A	AC Power Cord KP-235 (SAU, OTR, JPN)	1
18	0M05611A	Voltage Lock Plate (SAU)	1
	0M05858A	Voltage Lock Plate (OTR)	1
19	0B07092U	Voltage Selector Switch (SAU, OTR)	1
20	0J07146A	Power Joint	1
L01	0E03032A	BT4x8 + Washer Faced (Black Chromate)	1
L02	0E03632A	BT3x8 + Binding With Washer (Black Chromate)	1
L03	0E03432A	BT3x6 + Tapping (Black Chromate)	1
L04	0E03157A	BT3x8 + Binding With Washer	1
L05	0E03054A	BT3x8 + Countersunk	1
L06	0E00921A	BT3x8 + Binding (Black Chromate)	1
L07	0E00612A	M3x6 + Pan (2A)	1
L08	0E00985A	M3x6 + Binding (SAU, OTR)	1

2.2. Front Panel Ass'y (A01)

Schematic Ref. No.	Part No.	Description	Q'ty
A01	HA06672A	Front Panel Ass'y	1
01	HA06674A	Display Window Ass'y	1
02	0H06658A	Front Panel	1
03	0H06659A	Side Escutcheon L	1
04	0H06662A	Center Escutcheon	1
05	0H06660A	Side Escutcheon R	1
06	0H06447B	Push Knob	7
07	JA04804A	FL Filter Ass'y	1





FL DISPLAY
FM 102.35MHz

- SW606 Memory
- SW607 P. Set AA/B/C
- SW608 Seek UP
- SW609 Seek Down

SW603 NARROW
SW604 MUTE OFF
SW605 MONO

R3
W
10

CN
101
GND
US
SW
SW

CN
107
GND
BATT

CN
109
MUTE
SIGNAL
SW

CN
105

CN
106

CN
101
GND
US
SW
SW

CN
107
GND
BATT

CN
109
MUTE
SIGNAL
SW

CN
105

CN
106

CN
101
GND
US
SW
SW

CN
107
GND
BATT

CN
109
MUTE
SIGNAL
SW

CN
105

CN
106

CN
101
GND
US
SW
SW

CN
107
GND
BATT

CN
109
MUTE
SIGNAL
SW

CN
105

CN
106

CN
101
GND
US
SW
SW

CN
107
GND
BATT

CN
109
MUTE
SIGNAL
SW

CN
105

CN
106

CN
101
GND
US
SW
SW

CN
107
GND
BATT

CN
109
MUTE
SIGNAL
SW

CN
105

CN
106

CN
101
GND
US
SW
SW

CN
107
GND
BATT

CN
109
MUTE
SIGNAL
SW

CN
105

CN
106

CN
101
GND
US
SW
SW

CN
107
GND
BATT

CN
109
MUTE
SIGNAL
SW

CN
105

CN
106

CN
101
GND
US
SW
SW

CN
107
GND
BATT

CN
109
MUTE
SIGNAL
SW

CN
105

CN
106

CN
101
GND
US
SW
SW

CN
107
GND
BATT

CN
109
MUTE
SIGNAL
SW

CN
105

CN
106

CN
101
GND
US
SW
SW

CN
107
GND
BATT

CN
109
MUTE
SIGNAL
SW

CN
105

CN
106

CN
101
GND
US
SW
SW

CN
107
GND
BATT

CN
109
MUTE
SIGNAL
SW

CN
105

CN
106

CN
101
GND
US
SW
SW

CN
107
GND
BATT

CN
109
MUTE
SIGNAL
SW

CN
105

CN
106

CN
101
GND
US
SW
SW

CN
107
GND
BATT

CN
109
MUTE
SIGNAL
SW

CN
105

CN
106

CN
101
GND
US
SW
SW

CN
107
GND
BATT

CN
109
MUTE
SIGNAL
SW

CN
105

CN
106

CN
101
GND
US
SW
SW

CN
107
GND
BATT

CN
109
MUTE
SIGNAL
SW

CN
105

CN
106

CN
101
GND
US
SW
SW

CN
107
GND
BATT

CN
109
MUTE
SIGNAL
SW

CN
105

CN
106

CN
101
GND
US
SW
SW

CN
107
GND
BATT

CN
109
MUTE
SIGNAL
SW

CN
105

CN
106

CN
101
GND
US
SW
SW

CN
107
GND
BATT

CN
109
MUTE
SIGNAL
SW

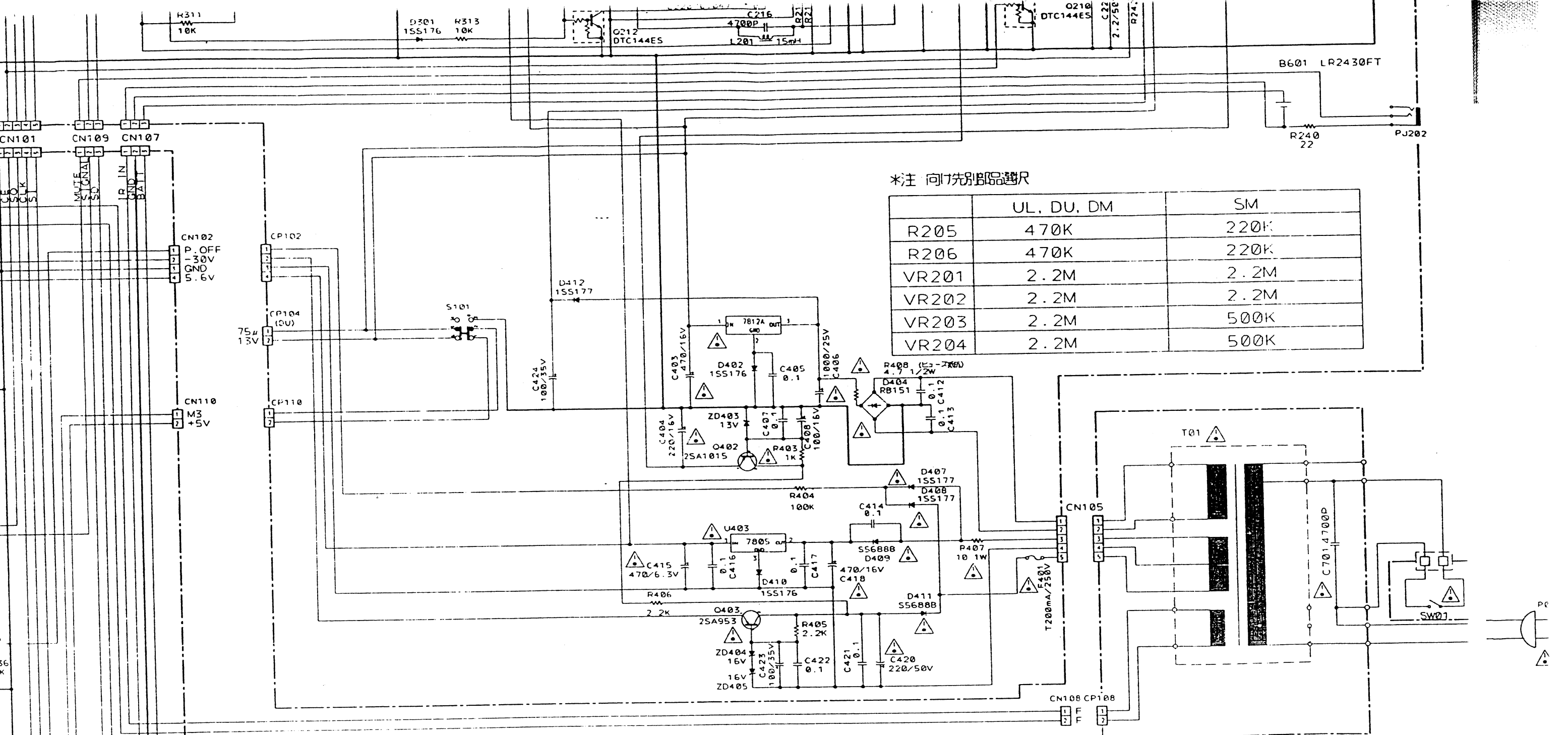
CN
105

CN
106

CN
101
GND
US
SW
SW

CN
107
GND
BATT


CN
109
MUTE
SIGNAL
SW



*注 向付先別部品選択

	UL, DU, DM	SM
R205	470K	220K
R206	470K	220K
VR201	2.2M	2.2M
VR202	2.2M	2.2M
VR203	2.2M	500K
VR204	2.2M	500K

* WARNING :

Parts marked with this symbol  have critical characteristics. Use ONLY replacement parts recommended by the manufacturer.

* CAUTION :

Before returning the unit to the customer, make sure you make either (1) a leakage current check or (2) a line to chassis resistance check. If the leakage current exceeds 0.5 milliamps, or if the resistance from chassis to either side of the power cord is less than 240 K Ohms, the unit is defective.

* WARNING :

DO NOT return the unit to the customer until the problem is located and corrected.